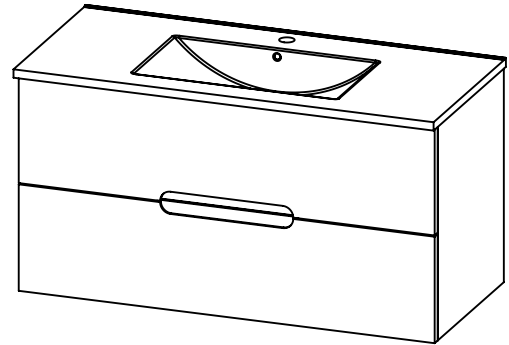


SPEC SHEET

PRODUCT DESCRIPTION

- Elton wall mount cabinet
- Available in Dark Walnut (30) and Matt White (50)
- Hardwood plywood box construction
- Soft close drawer sliders
- Integrated porcelain top with overflow hole in white
- Blum wall hung system
- Nominal Dimensions:

Width: 39.75"
Depth: 18"
Height: 21"



ROUGHING-IN DIMENSIONS

